



## PIR Presence Detector

### Range

SLW360N	PIR Presence Detector
SLFM360N	PIR Presence Detector (Flush Mount)

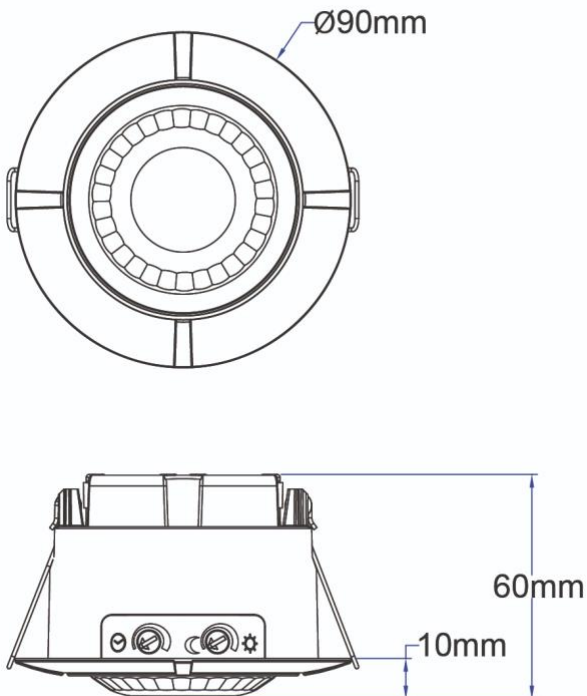
### Features

- Slimline sensor head design
- 360° detection zone for optimum coverage
- IP44 weatherproof rating (internal use only)
- Manual override (Pulse) for extended light on times
- Adjustable time setting
- Adjustable LUX setting

### Dimensions

	Height (mm)	Width (mm)	Depth (mm)	Weight (g)
SLW360N	105	105	45	106
SLFM360N	90	90	60	90

### Line Diagram(s)



### Technical Specification

Operating Voltage	230V AC
Frequency	50Hz
Installation Type	SLW360N: Surface Mount SLFM360N: Flush Mount
Earth Class Rating	Class II
Operating Temperature	0°C to 40°C
Ingress Protection Rating	IP44
Setting Type	Dial
Approved Mounting Height (m)	2.5
Presence Detection (m)	4 Diameter
Motion Detection (m)	8 Diameter
Detection Angle	360°
Hole Cut-Out Size (mm)	84
Standby Consumption	<0.5W
Number Of Channels	1
Switch Rating	500W LED (PF>0.9), 2000W Halogen, 500W Fluorescent, 75W Fan
ON Time Adjustment	3 Seconds to 18 Minutes. User Adjustable
LUX Level	1 to 1000
Detection Range (m)	8 Diameter
Permanent ON Facility	Yes (Pulse Override)
Dusk Till Dawn	No
Multiple Unit Support	Up to 8 Units in Parallel
Cable Entry(s)	Back Entry SLW360N: Side On Knockouts
Body Construction	Polycarbonate
Product Colour	White
Accessories (Included)	SLW360N: Fittings, Backplate SLFM360N: Terminal Cover